

CS-3L-16 SIMPLICITY TRIPLE TALL BUBBLER

CCCRFH



RefCCCRFH (CCCRFH)

Simplicity Bubbler Triple Combo Base CS-3D-16, BPA-Free Locking Lid,
(1) 4.75 gallon bowl, (2) 2.4 gallon bowls - Refrigerant R290

General Features

CS-3L-16 Premix dispenser with stainless steel base. Model with BPA-Free bowl. Dispenses three flavors with (3), 4.75 gallon, (18 L) bowls. Agitation model for fresh juices, coffees or teas with minimal foaming system. Unique to Simplicity, the air intakes from the bottom and exhausts to back. This efficient cooling uses less energy and saves money. Compact size of 10.5 inches (25 cm) wide saves valuable counterspace. Heavy product Dispense Valve standard on Simplicity Bubblers, perfect for lemonades and horchatas. New easy-off bowl release system means no more reaching into the bowl. Makes cleaning easier and reduces labor. Locking lid provides enhanced safety for operators. 9" (22.9 cm) cup clearance for a variety of drinks. Dispenses product to the very last drop. Fewer removable parts to simplify cleaning and reduce maintenance. Temperature ranges from 35 - 41° F (1.7 -5° C). e parts to simplify cleaning and reduce maintenance. Temperature ranges from 35 - 41° F (1.7 -5° C). R290 refrigerant.

CRATHCO

CS-3L-16 SIMPLICITY TRIPLE TALL BUBBLER

Specifications

- Slushy machine with two (2) 3.2 gallon tanks, 6.4 gallon/24 L total capacity
- BPA-Free Bowl, Polycarbonate Bowl Available

Construction

- Compact size of 10.5 inches (25 cm) wide saves valuable counterspace
- Temperature ranges from 35 - 41° F (1.7 -5° C)
- Pre-mix dispenser with three (3), 4.75 gallon/18 L bowls with 8" (20 cm) cup clearance
- Perfect to dispense refreshing cold brew coffee, teas, fresh juices and more
- Stainless steel side panels and drip tray

CS-3L-16 SIMPLICITY TRIPLE TALL BUBBLER

Electric

Supply voltage:	120 V / 1N ph / 60 Hz
Electrical power max.:	0.3 kW
Current consumption:	3.5 Amps
Plug type:	NEMA 5-15

Key Information:

Number of bowls:	3
Bowl's capacity:	4.8 gal
Control board:	;Mechanical
Dimensions, Width:	20 1/2"
Dimensions, Depth:	18 1/2"
Dimensions, Height:	31 1/2"
Net weight:	95 lb

Refrigeration Data

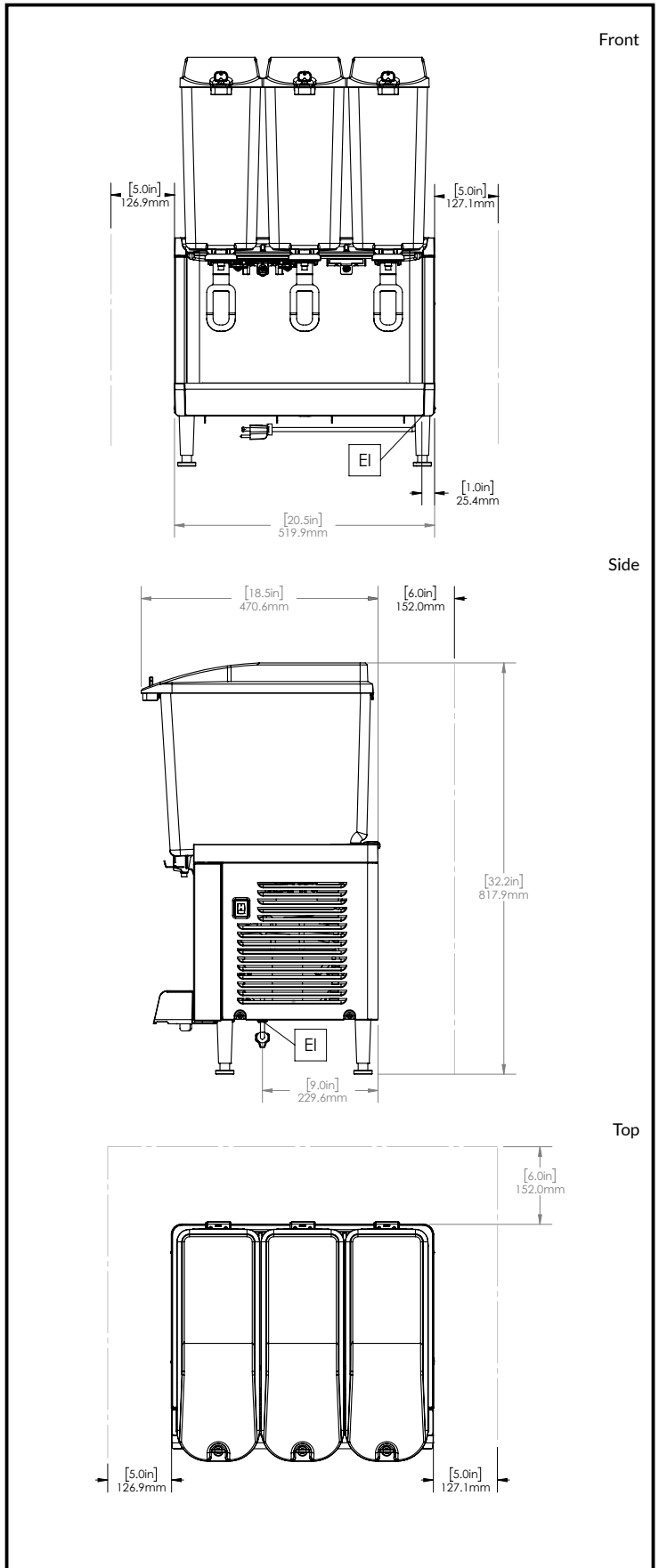
Refrigerant gas:	R290
------------------	------

Certifications



The company reserves the right to make modifications to the products without prior notice. All information correct at time of printing.

2024.11.19



CRATHCO

www.crathco.drink-systems.com
infocrathco@electroluxprofessional.com